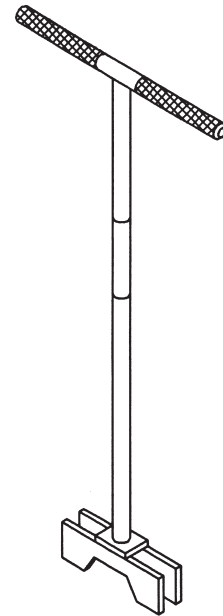


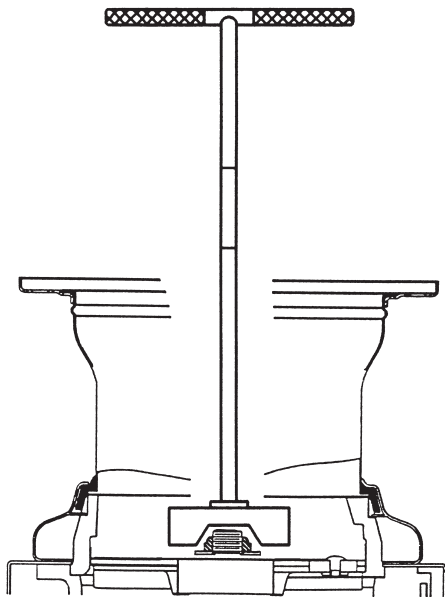


# DEJAMMING WRENCH

- Dejamming wrench loosens any lodged object
- Easy to handle
- To order, specify Part #13993



**Dejamming Wrench**



**Dejamming Wrench engaged in unit**

Place the wrench over the shredder nut and stationary lugs located on the rotating shredder. Using the handle, rotate the wrench clockwise then counterclockwise to loosen the jam.\*

**NOTE:** After freeing the rotating shredder, remove all loose particles which may have caused the jam.

\*Cannot be used with 3½" opening

Our products appear on **The KCL CADalog**  
More information is available from  
**Kochman Consultants, Ltd.** at [www.kclcad.com](http://www.kclcad.com).



1250 International Drive  
Mount Pleasant, WI 53177  
TEL: 800-845-8345  
[www.insinkerator.com/foodservice](http://www.insinkerator.com/foodservice)

