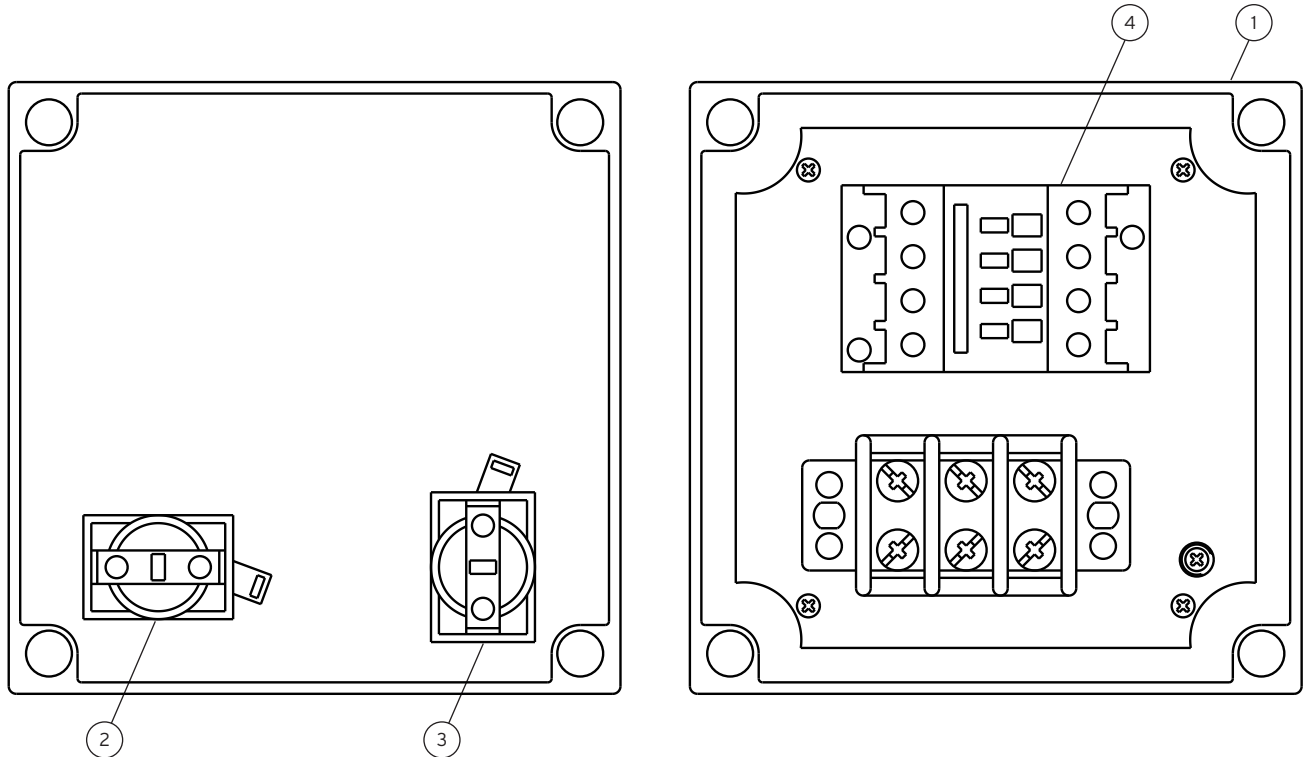


14356 MS-4 = 120 Volt / 1 Phase

14356A MS-5 = 208-230 Volt / 1 or 3 Phase

14356B MS-6 = 380-460 Volt / 3 Phase



Order By Part Number, Not Code Number

CODE #	PART #	QTY	DESCRIPTION
1	N/A	1	Engineered Resin Enclosure
2	14158	1	Pushbutton Stop (N.C. Red)
3	14159	1	Pushbutton Start (N.O. Black)

CODE #	PART #	QTY	DESCRIPTION
4	14360	1	Contactor (120V/1 Phase)
	14361	1	Contactor (208/230V/1 Phase or 3 Phase)
	14362	1	Contactor (380/460V/3 Phase)