



POWER RINSE™

WASTE COLLECTION SYSTEM

Installation, Care, and Use Manual



Standard (Model PRS)



Pot/Pan (Model PRP)

⚠ WARNING

WARNING indicates a hazardous situation which, if not avoided, could result in death or serious injury.

⚠ CAUTION

CAUTION indicates a hazardous situation which, if not avoided, could result in minor or moderate injury.

NOTICE

NOTICE is used to address practices not related to physical injury.

Please be certain that the person who installs or uses this appliance carefully reads and understands the Safety Instructions contained in this manual.

Table of Contents

Product Overview	
Introduction	3
System Components.....	4
Typical Installation	4
Required Tools/Materials.....	4
Table Cutout Dimensions	5
Installation Instructions	
Assembly	6
Plumbing	
Water Connections	7
Adjusting Water Temperature	8
Drain Piping	8
Electrical	
Electrical Disconnect Switch	8
Electrical Connections.....	9
Initial Setup and Verification	
Prepare the System	9
Operating Instructions	
Main Operation	10
Timed Run Feature	12
To Empty Scrap Basket	13
To Clean Unit	13
Troubleshooting	14
Wiring Diagrams	
Models PRS-1 and PRP-1 (110-120V, 1 Phase).....	16
Models PRS-2 and PRP-2 (208/220-240V, 1 Phase)	17
Models PRS-3 and PRP-3 (208/220-240V, 3 Phase)	18
Models PRS-4 and PRP-4 (460-480V, 3 Phase).....	19

SAVE THESE INSTRUCTIONS

Product Overview

INTRODUCTION

The PowerRinse® Waste Collection System is a food and food-related waste handling solution that improves kitchen efficiency by increasing scrapping speed and reducing bulk waste.

A plume of recirculated water aids in the pre-rinse and scrapping of dishes. Solid waste is collected in a scrap basket, which can then be emptied into a waste or compost receptacle, while water soluble waste is sent down the drain. A flat cover fits over the scrap basket, providing a smooth, level surface that maximizes the workspace for scrapping and pre-soaking problem dishes with baked-on or difficult to remove food. The PowerRinse® Waste Collection System is an alternative to using a food waste disposer or pulper system.

This Installation, Care, and Use Manual covers two (2) models: Standard (Model PRS) and Pot/Pan (Model PRP) (see Figures 1 and 2). The Standard Tray is sized for everyday applications (23.75" x 21.5") and increased length of the Pot/Pan Tray (35.5" x 21.5") provides dishwashers additional workspace for oversized cookware, such as large sheet pans.

The PowerRinse Waste Collection System is CUL® US Listed when installed in conjunction with InSinkErator pumps and controls, and per the installation instructions in this Installation, Care, and Use Manual (see Figure 4 for typical installation).

This Installation, Care, and Use Manual covers the models listed in Table 1.

Table 1. Electrical Specifications

PowerRinse® Waste Collection System Standard (Model PRS)			
Model	Part No.	Voltage	Phase
PRS-1	15357	110-120V	1
PRS-2	15357A	208/220-240V	1
PRS-3	15357B	208/220-240V	3
PRS-4	15357C	460-480V	3

PowerRinse® Waste Collection System Pot/Pan (Model PRP)			
Model	Part No.	Voltage	Phase
PRP-1	15357D	110-120V	1
PRP-2	15357E	208/220-240V	1
PRP-3	15357G	208/220-240V	3
PRP-4	15357H	460-480V	3

IMPORTANT NOTE – These installation instructions are for the benefit of the installing contractor. InSinkErator and/or InSinkErator Factory Authorized Service Centers do not make original installations. For technical information not covered in these instructions, contact the supplier, an InSinkErator Field Sales Representative, or InSinkErator Foodservice Sales and Service at 1-800-845-8345.



Figure 1. Standard (Model PRS)



Figure 2. Pot/Pan (Model PRP)

Product Overview

SYSTEM COMPONENTS

The PowerRinse® Waste Collection System includes the following components (see Figure 3):

- a. Tray
 - Standard Tray (Only Model PRS)
 - OR**
 - Pot/Pan Tray (Only Model PRP)
- b. Scrap Basket
- c. Cover
- d. Plume Hose
- e. Waste Collector Base Assembly (see Figure 4)
- f. Waste Collector Tank and Mounting Assembly
- g. Control (Pre-wired)
- h. Solenoid (Pre-wired)
- i. Pump (Pre-wired)
- j. Air Gap
- k. Ball Valve
- l. Leveling Flange Feet
- m. 2" Drain Discharge
- n. 1/2" NPT Water Inlets (Hot and Cold Connections)
- o. Installation, Care, and Use Manual
- p. Mounting Hardware
 - Lock Washers (12)
 - 1/4"-20 Nuts (12)

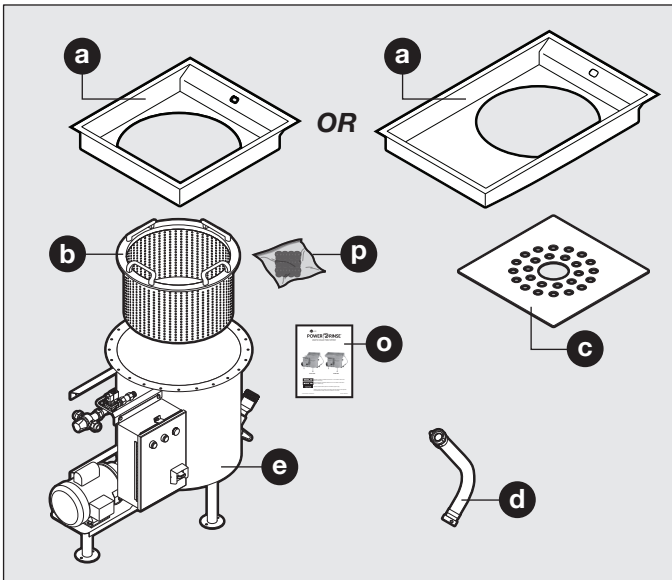


Figure 3. System Components

TYPICAL INSTALLATION

Figure 4 illustrates the typical installation of the PowerRinse® Waste Collection System. For a complete list of system components refer to the System Components list located to the left of Figure 4. See Figure 5 on next page for system dimensions.

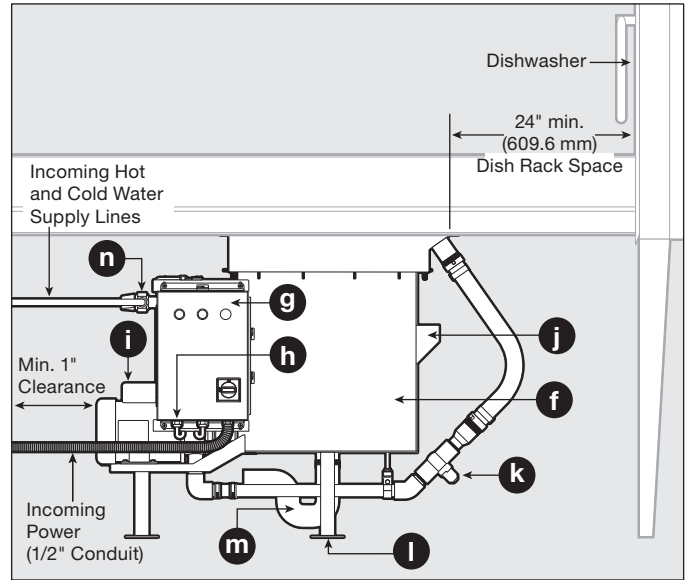


Figure 4. Typical Installation

NOTICE

The PowerRinse® Waste Collection System pump motor fan must have a minimum of 1" of clearance from any wall or obstruction in order to operate correctly.

REQUIRED TOOLS / MATERIALS

The following items are needed to install the PowerRinse® Waste Collection System:

- Screwdriver
- Pipe wrench
- 7/16" wrench or socket
- Tools and materials necessary to install the power line, drain line, and the hot and cold water

The following items are needed if repositioning the control:

- 1/2" wrench or socket

Product Overview

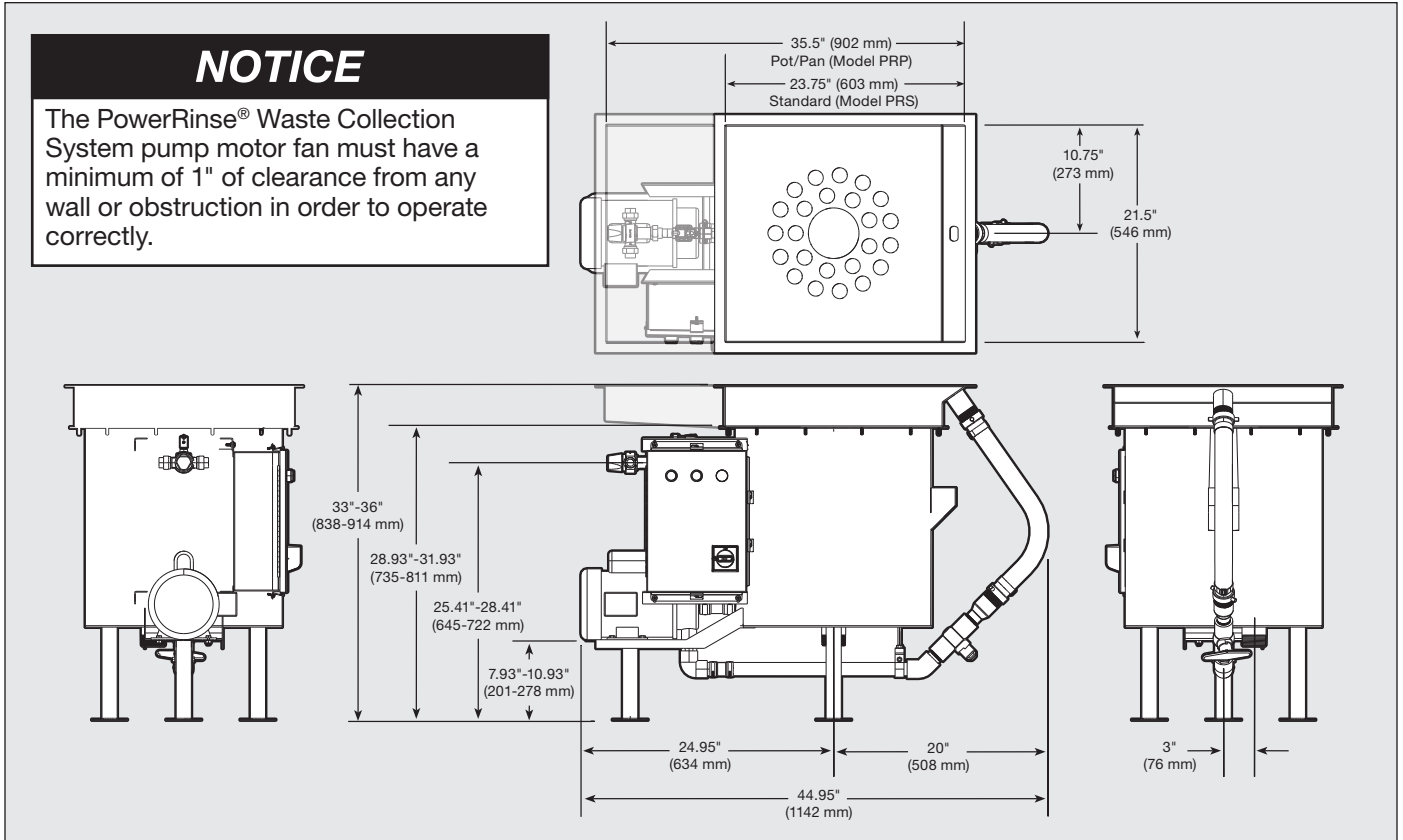


Figure 5. PowerRinse® Waste Collection System Dimensions

TABLE CUTOUT DIMENSIONS

Use the dimensions from Figure 6 for Standard (Model PRS) table cutout and Figure 7 for Pot/Pan (Model PRP) table cutout. Weld the waste collector tray to the underside of the table so the water nozzle is on the same side as the dishwasher.

If using in line with a dishwasher, it is recommended to mount the waste collector tray a minimum of 24" away from the loading end of the dishwasher to allow enough table space for a dish rack.

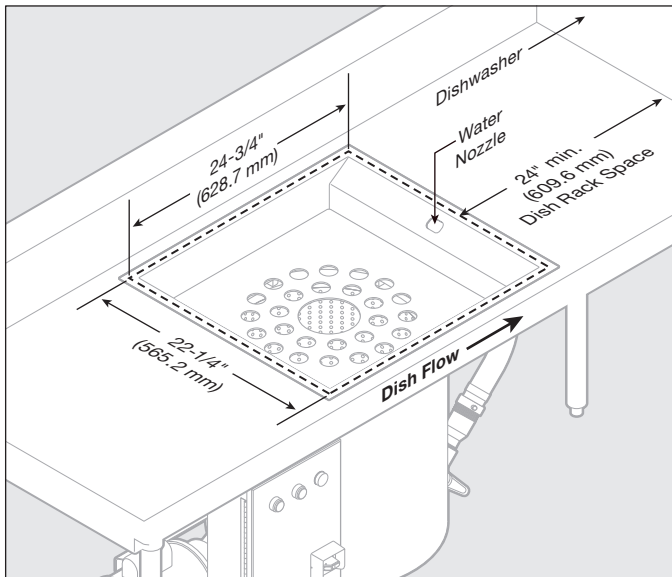


Figure 6. Standard Table Cutout (Model PRS)

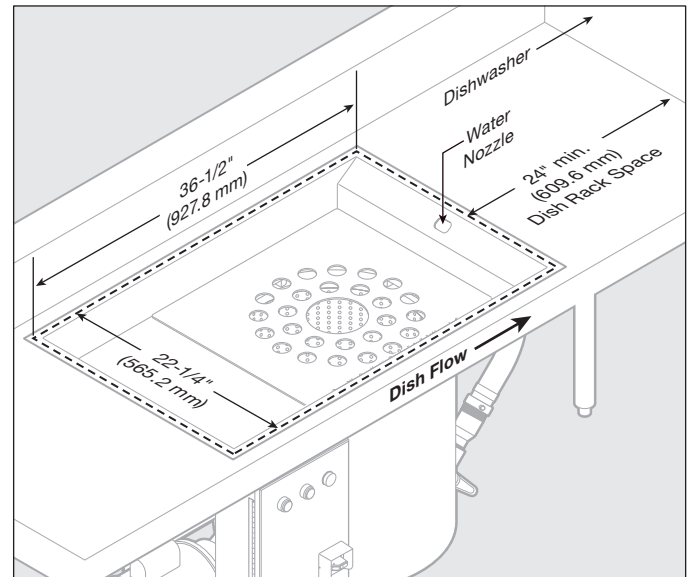
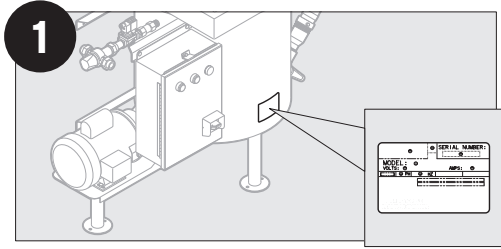


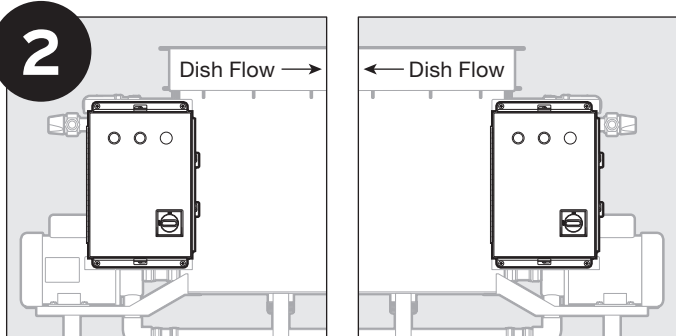
Figure 7. Pot/Pan Table Cutout (Model PRP)

Installation Instructions

ASSEMBLY



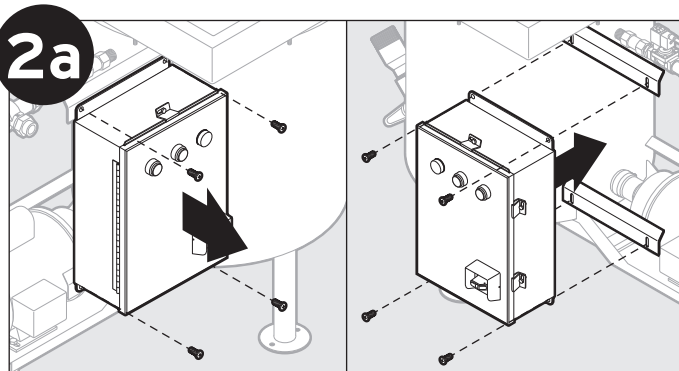
Remove unit from package. Ensure that the power supply is appropriate based on the control configuration ordered with the unit. Verify using spec plate on tank.



Verify dish flow and ensure that the control is on the proper side of the tank. The control should always face the operator and can be mounted on the opposite side of the tank if dish flow is reversed.

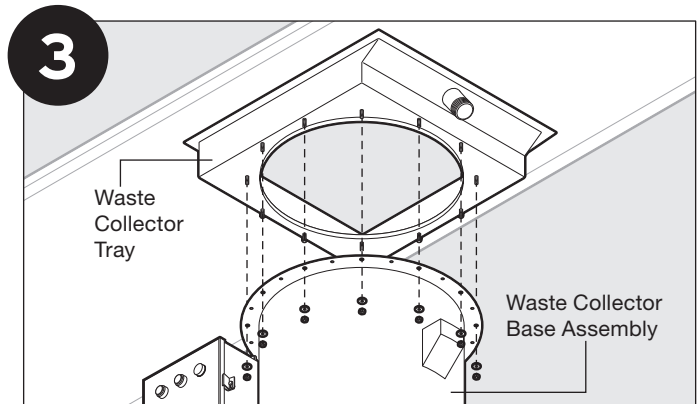
NOTE: The waste collector base assembly is shipped with the control factory-installed on the left side of the tank for left-to-right dish flow.

CHANGING THE CONTROL LOCATION

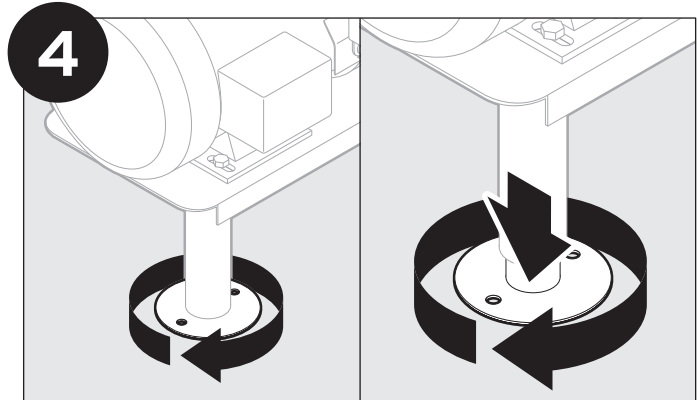


Optional – to relocate the control, remove and save four (4) bolts and nuts. Reposition box on other side of tank and secure with previously removed hardware. It is not necessary to disconnect factory-installed wiring.

After relocating control, verify conduit and solenoid connections are tight.



Secure waste collector base assembly to waste collector tray using provided lock washers and 1/4"-20 nuts.

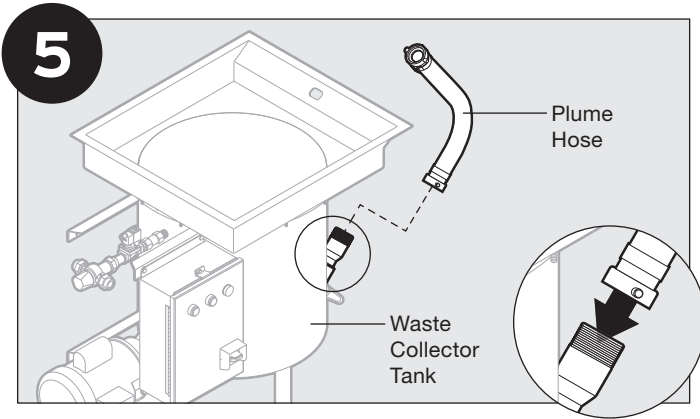


Rotate legs clockwise when viewing from top until they extend to the floor.

Optional – use the provided holes on the flanged foot to secure unit to floor with anchors (not provided by InSinkErator).

Installation Instructions

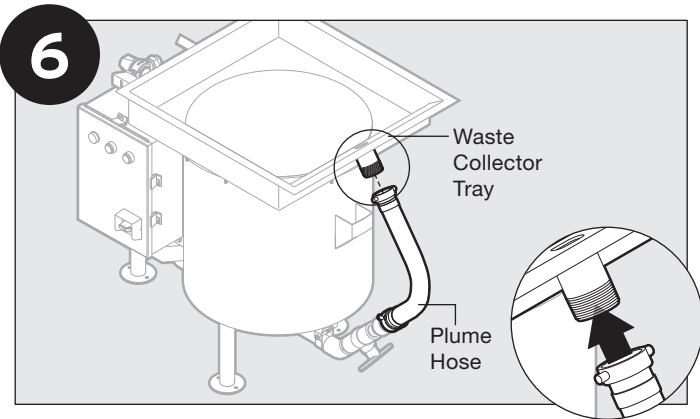
ASSEMBLY (cont.)



Connect plume hose to collector tank. Turn brass coupling clockwise to secure.

IMPORTANT NOTES:

- **DO NOT** cross thread brass fitting onto plastic plumbing.
- For ease of installation, connect plume hose first to waste collector tank then to waste collector tray.



Connect plume hose to waste collector tray.

PLUMBING

NOTICE

PROPERTY DAMAGE

- Installation must comply with all local plumbing codes.
- If water pressure exceeds the recommended 80 psi, pressure regulators should be used.

WATER CONNECTIONS

Plumb a hot and a cold water supply line to mixer valve (see Figure 8). Connections are 1/2" NPT.

IMPORTANT NOTES:

- *Mixing valve can be relocated.*
- *Hot and cold water lines must match the markings on mixer valve. If lines are reversed, mixer valve will not operate properly after adjustment.*
- *It is recommended that ball type shutoff valves be installed in line with the cold and hot water lines.*
- *A minimum of 30 psi at the mixer valve is needed for the waste collector to operate correctly.*

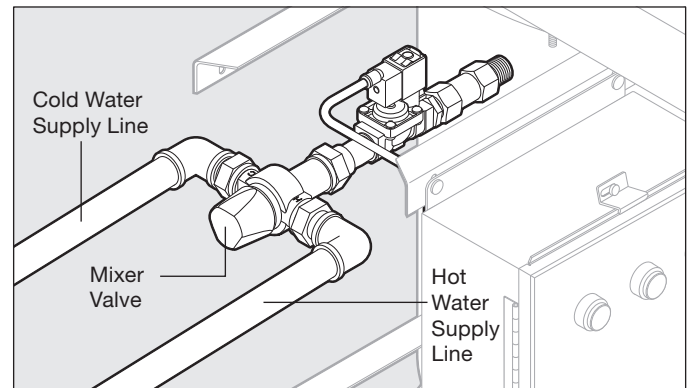


Figure 8. Water Connections

IMPORTANT NOTE: This air gap meets ASME A112.1.2-2012 standard and eliminates the need for a vacuum breaker installed with the system (see Figure 9).

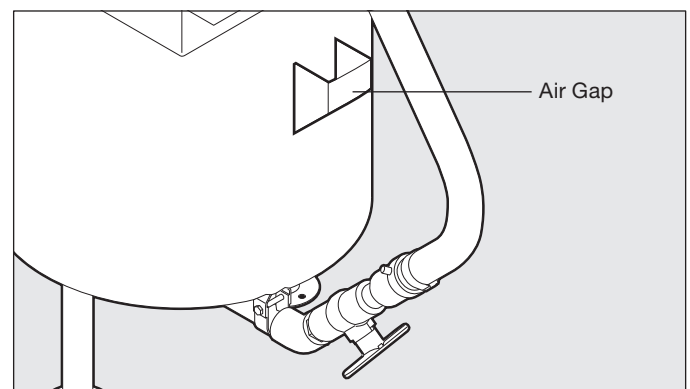


Figure 9. Air Gap

Installation Instructions

PLUMBING (cont.)

ADJUSTING WATER TEMPERATURE

NOTE: It may be necessary to adjust the mixing valve to set the appropriate water temperature.

To adjust water temperature (see Figure 10):

1. Unscrew button head screw on the valve cap until cap can be pulled out.
2. Pull cap out.
3. Turn cap to adjust water temperature.
4. When desired temperature is reached, push cap in and tighten button head screw to secure cap.

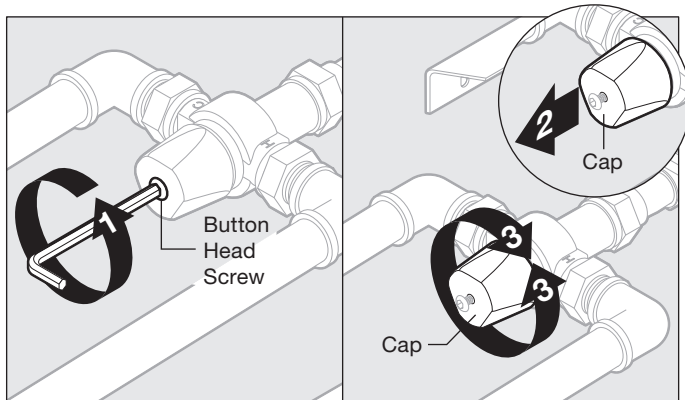


Figure 10. Adjusting Water Temperature

DRAIN PIPING

Plumb a 2" drainline through a "P-trap" from the 2" male threaded nipple on the bottom of the waste collector tank (see Figure 11).

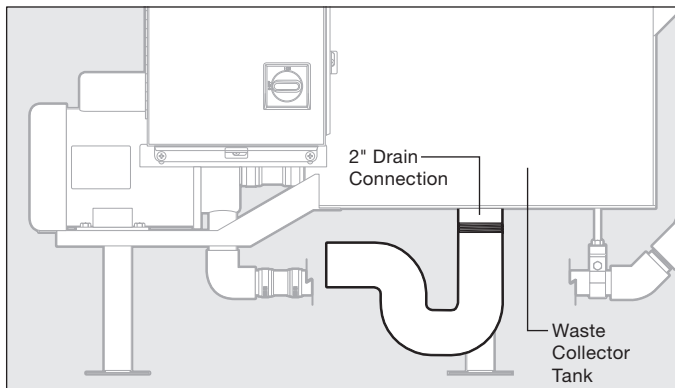


Figure 11. Drain Piping

NOTICE

Ensure all connections are tight and leak free, including rubber boots and plumbing connections supplied by the manufacturer, before moving forward and engaging the system.

⚠ WARNING

ELECTRICAL SHOCK

- Turn off all electrical supply to the collector before attempting any work on it. Use a voltmeter or circuit tester to ensure that power is off.
- Installation must conform to local electrical codes, or in the absence of local codes, installed in accordance with the applicable requirements in the National Electrical Code (NEC), NFPA 70, Canadian Electrical Code (CEC), Part 1, CSA C22.1, and the Standard for Ventilation Control and Fire Protection of Commercial Cooking Operations, NFPA 96.
- All control centers and collector components must be carefully and permanently grounded.
- A properly fused disconnect must be installed at the electrical supply source for the control center.

ELECTRICAL

ELECTRICAL DISCONNECT SWITCH

The switch on the front panel of the control disconnects the line voltage (see Figure 12). It interlocks with the front cover so that the panel cannot be opened unless the switch is in the OFF position.

NOTE: Use of the electrical disconnect switch results

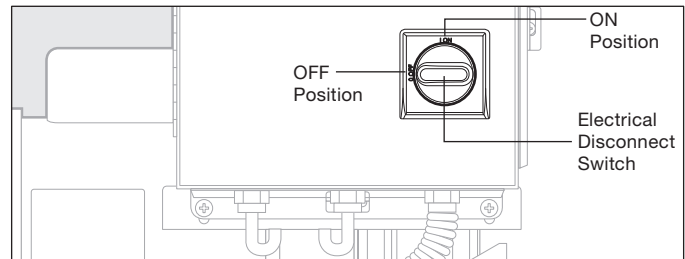


Figure 12. Electrical Disconnect Switch

in a 30 second delay before system can be restarted. You must wait 30 seconds after reactivation of the line disconnect switch before system will start.

NOTICE

PROPERTY DAMAGE

- Ensure that the control center voltage and phase match the pump and electrical supply. Reference the nameplates for voltage and phase.
- The pump motor wiring diagram is shown on the casing of the pump.

⚠ WARNING

PERSONAL INJURY

Disconnect electricity at line disconnect switch before servicing system.

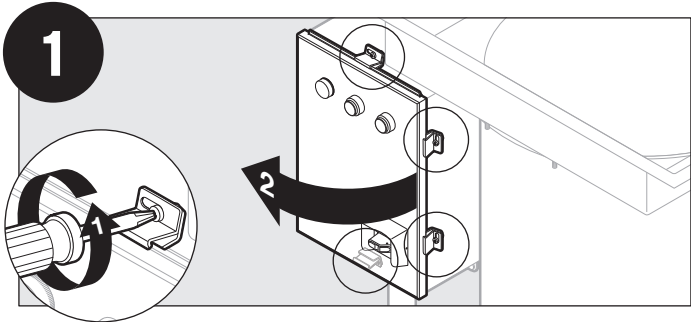
Installation Instructions

ELECTRICAL (cont.)

ELECTRICAL CONNECTIONS

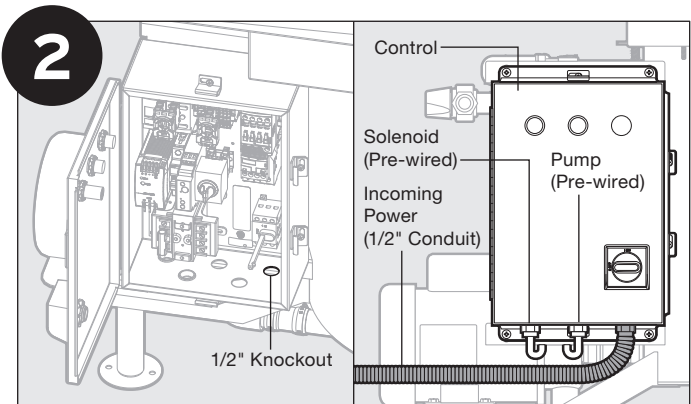
NOTE: Ensure that the power supply is appropriate based on the control configuration ordered with the unit.

One electrical connection is required. To connect the waste collection system to the electricity:



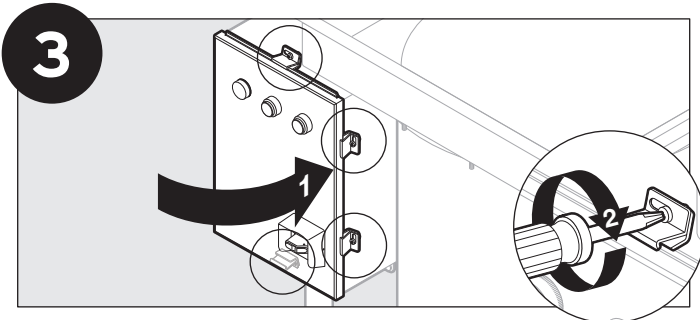
Remove top cover retainers by loosening screws and open the front panel.

NOTE: Electrical disconnect switch must be in OFF position to open control panel (see Figure 12).



Run power from main power supply to the 1/2" knockout on bottom of control and connect as shown.

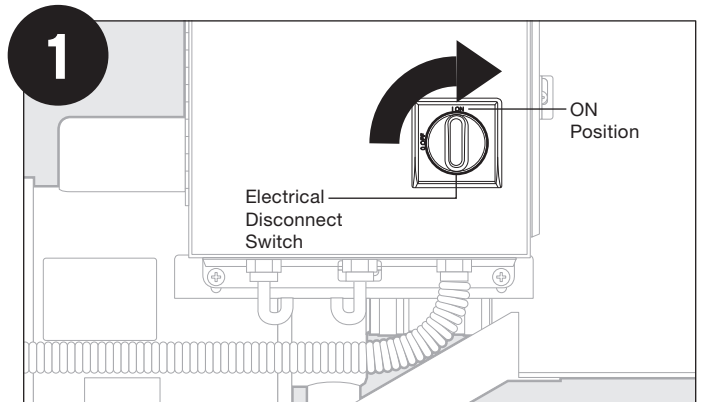
NOTE: Be sure to use liquid tight conduit and conduit fittings.



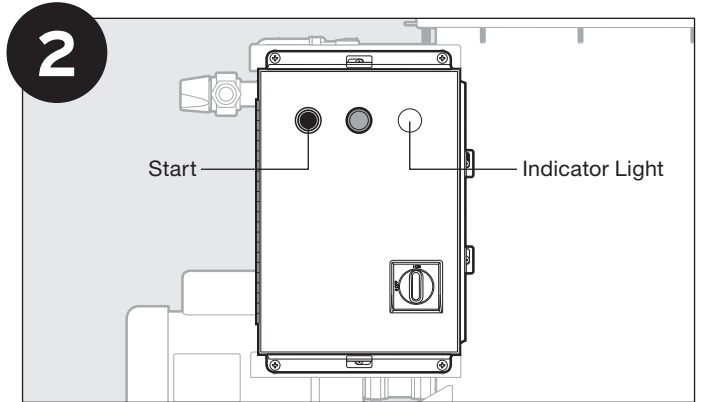
Close front panel and tighten screws on top cover retainers to secure.

INITIAL SETUP AND VERIFICATION

PREPARE THE SYSTEM

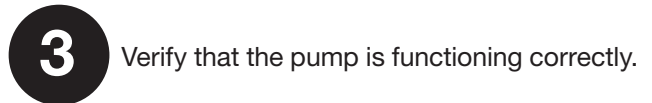


Turn electrical disconnect switch to the ON position. Open shutoff valves in water lines, if installed.



Press the START button. Indicator light turns on.

NOTE: If the unit does not turn on, see *Troubleshooting*.

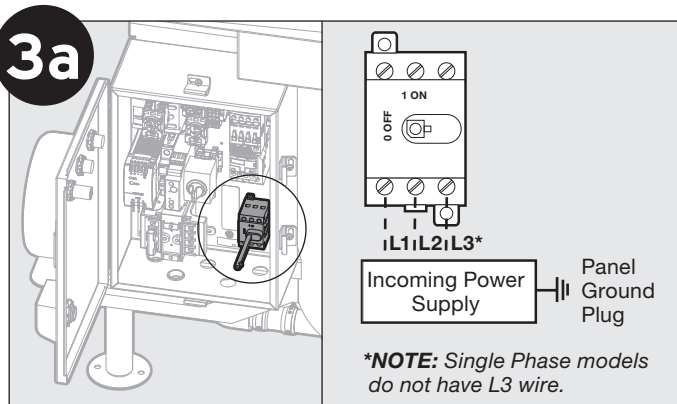


IMPORTANT NOTE: Wait time until pump engages is approximately 70 seconds after starting unit.

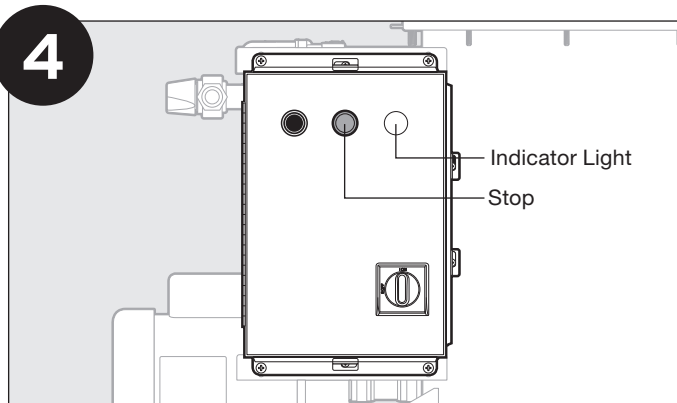
Installation Instructions

Operating Instructions

INITIAL SETUP AND VERIFICATION (cont.)



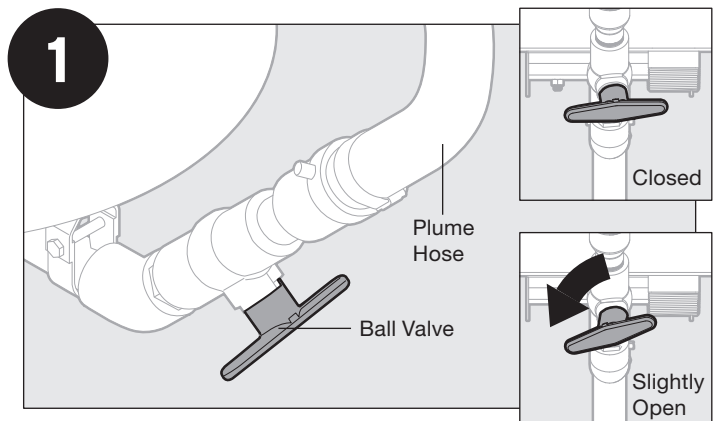
For 3 Phase units only – Ensure pump motor fan is rotating clockwise (when viewed from the motor end). If rotation is counter-clockwise, turn off power supply, open front panel, and switch L1 and L2 connections.



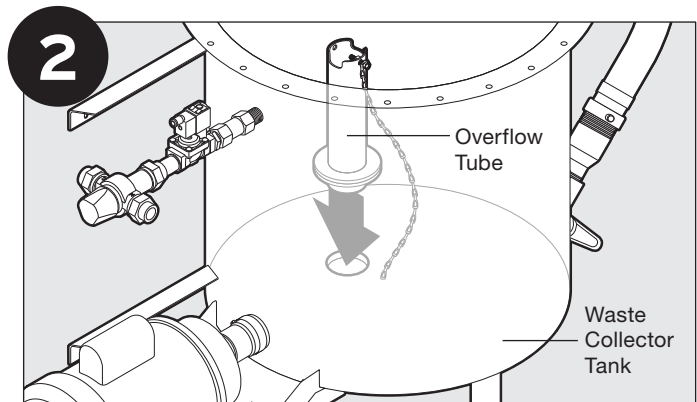
Turn off unit by pressing the STOP button. Indicator light turns off.

NOTE: If the unit does not turn off, see *Troubleshooting*.

MAIN OPERATION



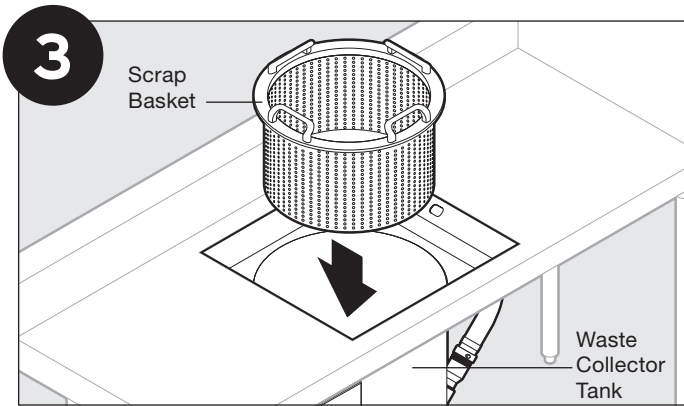
Before operating, slightly open ball valve.



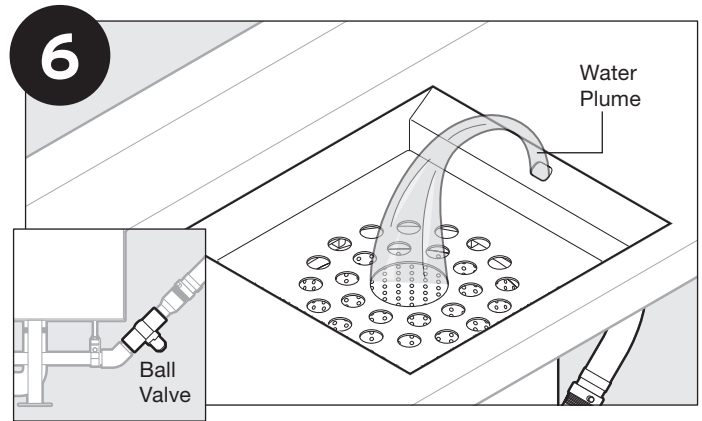
Place the overflow tube into the drain at the bottom of waste collector tank.

Operating Instructions

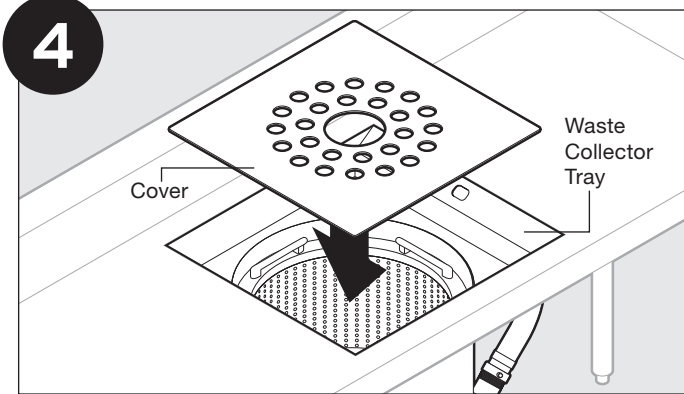
MAIN OPERATION (cont.)



Place scrap basket inside waste collector tank. Unit must always have the scrap basket in place during operation.

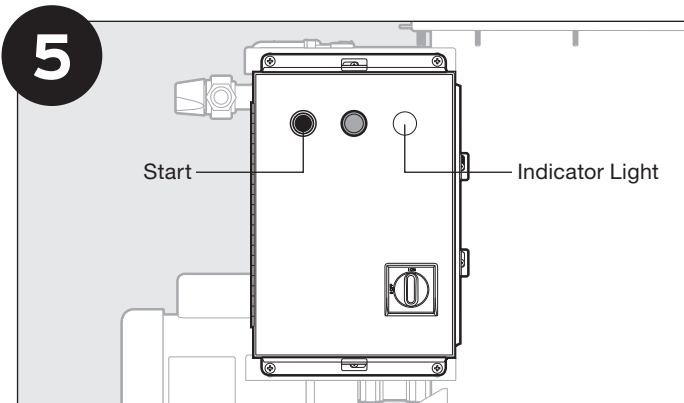


Adjust ball valve until water plume hits desired location inside tray area (recommended location is the center of scrap basket and/or cover).

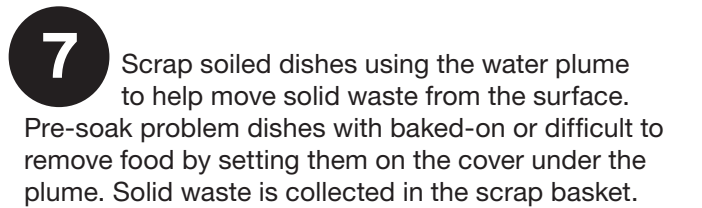


Place cover on waste collector tray. Use of cover is optional but recommended to maximize workspace.

NOTE: When using the Pot/Pan tray (Model PRP), the cover fits in the square, flat area at the bottom of the tray.



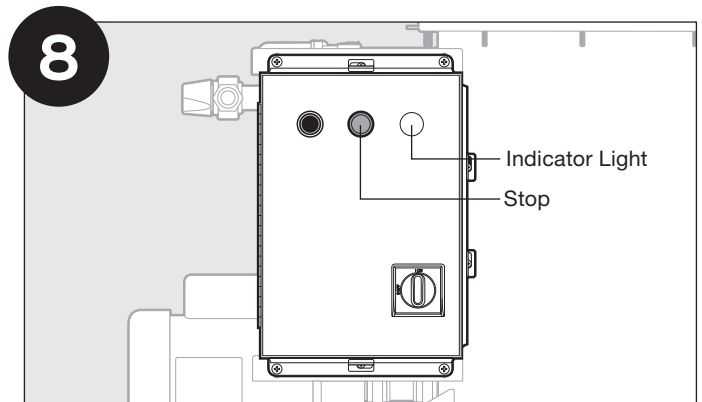
To begin, press START button on control and allow the reservoir tank to fill with water. Indicator light turns on. Pump turns on and water plume starts once tank has reached optimal fill level (approximately 70 seconds after pushing the START button).



Scrap soiled dishes using the water plume to help move solid waste from the surface. Pre-soak problem dishes with baked-on or difficult to remove food by setting them on the cover under the plume. Solid waste is collected in the scrap basket.

NOTICE

DO NOT use corrosive chemicals for scrapping.



Press STOP on the control panel. Indicator light turns off.

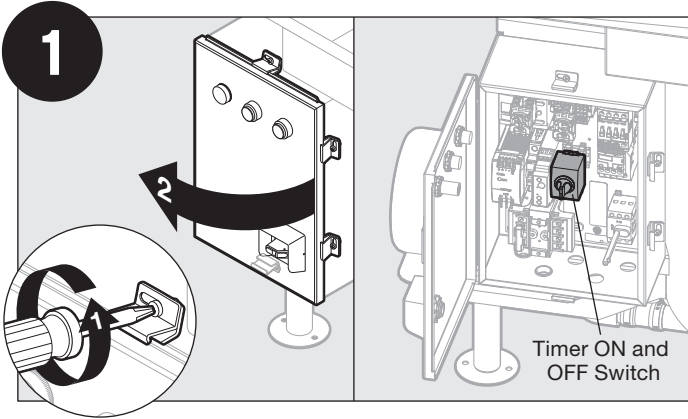
Operating Instructions

MAIN OPERATION (cont.)

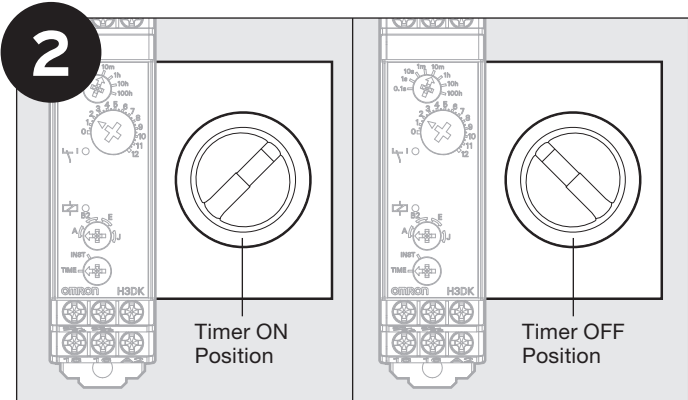
TIMED RUN FEATURE

The PowerRinse® Waste Collection System has a built-in shut off timer in the control. The timer is preset for 20 minutes from factory. After the set time elapses, the unit will shut off.

To turn timed run ON or OFF:

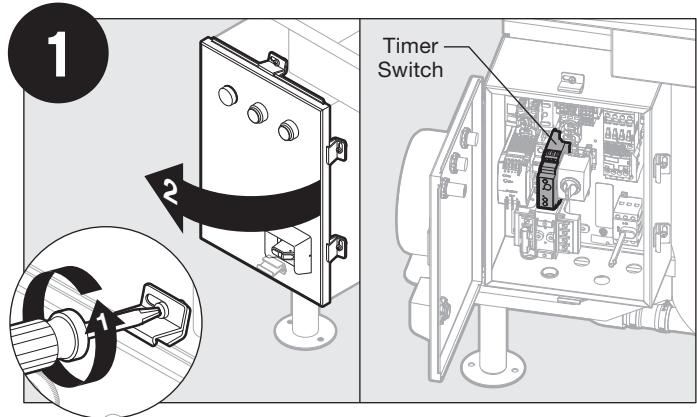


Open the control panel. Locate the Timer ON and OFF switch.

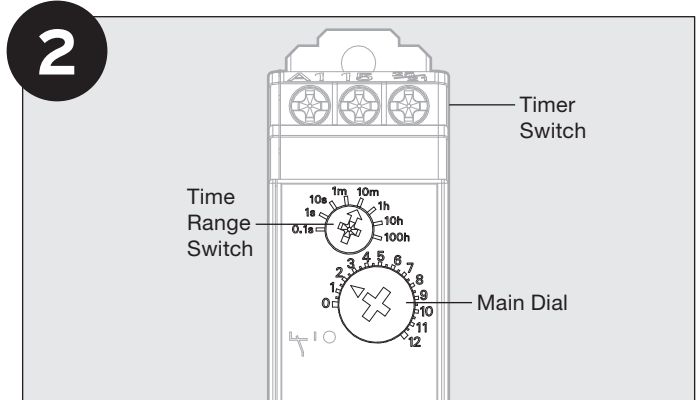


Move switch to desired position.

To adjust timer:



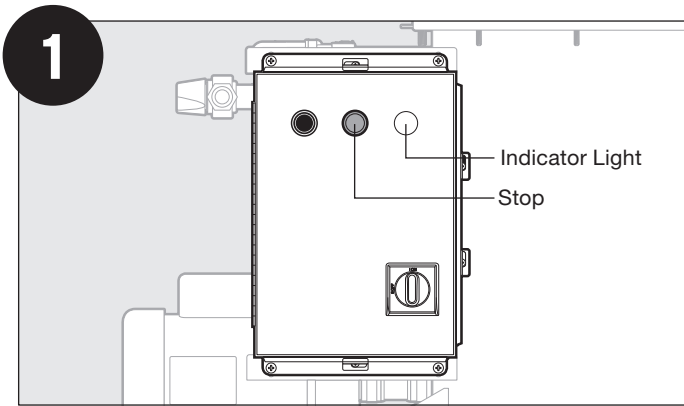
Open the control panel. Locate the Timer Switch.



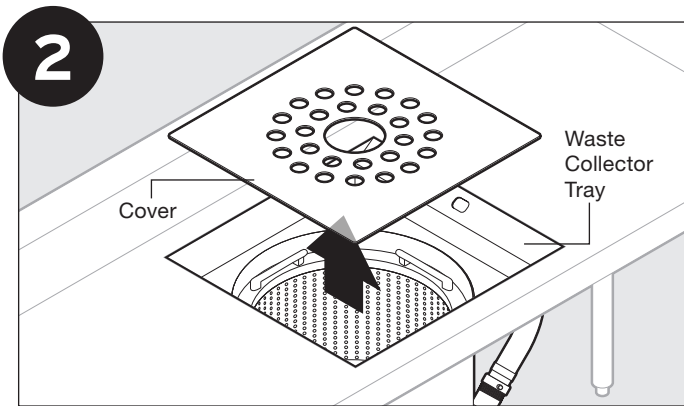
Rotate time range switch or main dial to desired settings (as shown). The time range switch sets the increments (0.1s, 1s, 10s, etc.) and the main dial is the "multiplier." The factory default is 10m on time range switch and 2 on the main dial, or 20 minutes.

Operating Instructions

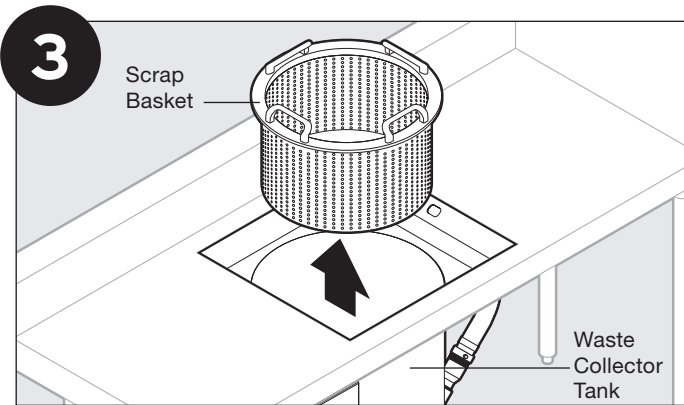
TO EMPTY SCRAP BASKET



Ensure unit is turned off by pressing the STOP button on the control.



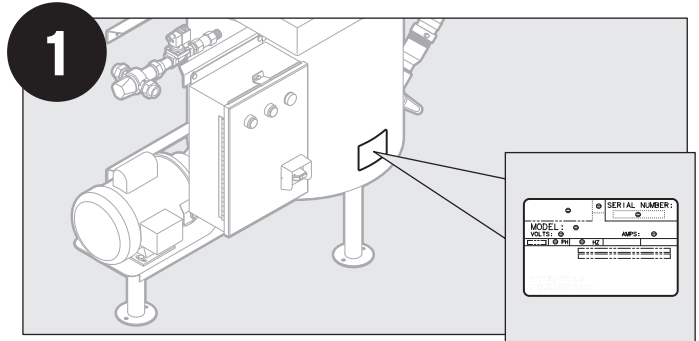
Remove cover.



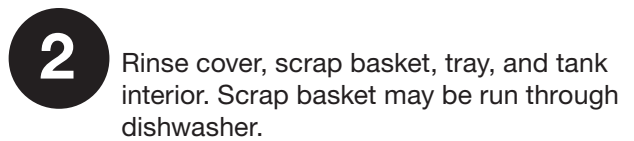
Remove scrap basket and dump waste into appropriate trash or compost receptacle.

TO CLEAN UNIT

It is recommended that unit be cleaned daily at end of shift, and as needed throughout the day.



Turn off unit and empty scrap basket (see above instructions). Pull overflow tube to drain water inside waste collector tank.



NOTICE

DO NOT use corrosive chemicals for cleaning.

Troubleshooting

⚠ WARNING

ELECTRICAL SHOCK

- Turn off all electrical supply to the collector before attempting to work on it. Use a voltmeter or circuit tester to ensure that the power is off.
- **DO NOT** bypass interlock switch.

Troubleshooting for problems other than what is listed below should be performed by a qualified service person. Troubleshooting performed by untrained personnel could result in electrical shock or damage to the PowerRinse® waste collection system.

SYSTEM TROUBLESHOOTING

PROBLEM	POSSIBLE CAUSE	SOLUTION
Waste Collector does not turn on.	<ul style="list-style-type: none"> • Electrical supply turned off. • Fuse blown or circuit breaker turned off at power supply. • Control circuit fuse blown. • Line disconnect switch on control not in the “ON” position. • Line disconnect switch on control is defective. • Start switch on control center is defective. • Stop switch on control center is defective. 	<ul style="list-style-type: none"> • Turn on the electrical supply. • Replace fuse or reset circuit breaker. • Replace fuse. • Turn to “ON” position, wait 30 seconds before attempting to start again. • Call for service. • Call for service. • Call for service.
Waste Collector will start when “START” button is pushed, but shuts down when “START” button is released.	<ul style="list-style-type: none"> • Insufficient time allowed after line disconnect switch on control center is turned to the “ON” position. • 24V power from control center (control circuit) is low or not present. 	<ul style="list-style-type: none"> • Allow 30 seconds before attempting system startup (at “START” switch). • Call for service.
Waste Collector stops unexpectedly.	<ul style="list-style-type: none"> • Fuse blown or circuit breaker tripped at power source. • 24V power from control center (control circuit) is low or not present. • STOP button on control has been pushed. • Line disconnect switch has been turned to the “OFF” position. 	<ul style="list-style-type: none"> • Replace fuse or reset circuit breaker. • Call for service. • Push “START” button on control center. • Turn to “ON” position, wait 30 seconds before attempting to start system. <p>NOTE: Line disconnect switch is only intended for use in the event of control center servicing.</p>

Troubleshooting

PROBLEM	POSSIBLE CAUSE	SOLUTION
Waste Collector turns on, but pump does not operate correctly.	<ul style="list-style-type: none"> • Contactor defective. • Pump clogged. • Pump inlet screen clogged. 	<ul style="list-style-type: none"> • Call for service. • Call for service. • Clean unit.
Water flows continuously before control is turned on.	<ul style="list-style-type: none"> • Solenoid valve is stuck open. • Solenoid valve is defective. 	<ul style="list-style-type: none"> • Call for service. • Replace solenoid valve.
Drain is clogged.	<ul style="list-style-type: none"> • Scrap basket not in place when using Waste Collector. • Water is too cold. 	<ul style="list-style-type: none"> • Call plumber. • <i>NOTE: Scrap basket should be in place at all times during operation.</i> • Adjust mixer valve.
Water does not fill in tank.	<ul style="list-style-type: none"> • Overflow pipe not in drain. 	<ul style="list-style-type: none"> • Place overflow pipe in drain.
Water system is too hot or cold.	<ul style="list-style-type: none"> • Mixing valve not adjusted properly. 	<ul style="list-style-type: none"> • Adjust mixing valve to achieve proper water temperature.
Pump leaks water.	<ul style="list-style-type: none"> • Pump has failed. 	<ul style="list-style-type: none"> • Replace pump.
Waste Collector not re-circulating much water – resulting in small plume.	<ul style="list-style-type: none"> • Ball valve closed. 	<ul style="list-style-type: none"> • Adjust ball valve – open more.
Unit does not stop.	<ul style="list-style-type: none"> • Control has failed. 	<ul style="list-style-type: none"> • Stop unit by turning the electrical disconnect switch to the OFF position. • Call for service.
Drain consistently clogs.	<ul style="list-style-type: none"> • Consultation required to troubleshoot. 	<ul style="list-style-type: none"> • Call plumber.

Models PRS-1 and PRP-1 (110-120V, 1 Phase) Wiring Diagram

⚠ WARNING

ELECTRICAL SHOCK

- Turn off all electrical supply to the collector before attempting any work on it. Use a voltmeter or circuit tester to ensure that power is off.
- Installation must conform to local electrical codes.
- All control centers and collector components must be carefully and permanently grounded.
- A properly fused disconnect must be installed at the electrical supply source for the control center.

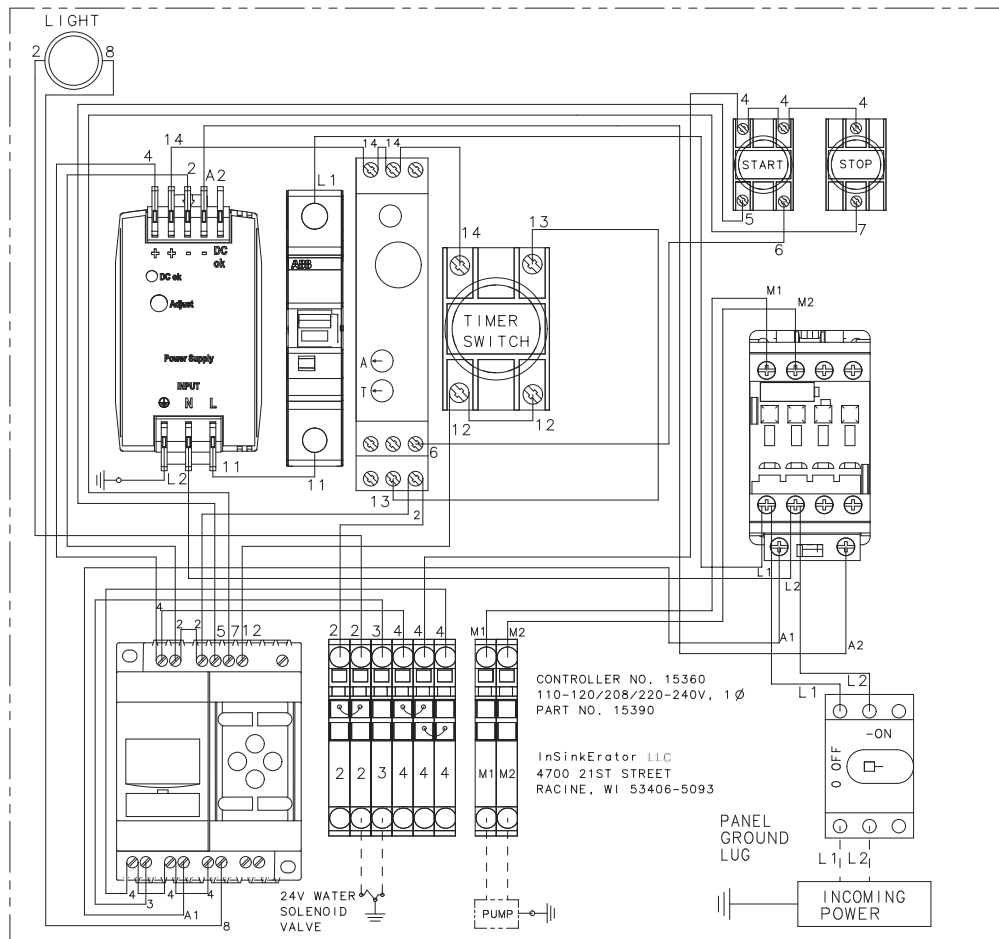
NOTICE

PROPERTY DAMAGE

- Ensure that the control center voltage and phase match the pump and electrical supply. Reference the nameplates for voltage and phase.
- The pump motor wiring diagram is shown on the casing of the pump.

Note: Black wires = Line voltage (110 - 120 V).

**110-120 V
1 Phase**



Call Toll Free 1-800-845-8345
for the nearest InSinkEerator
Authorized Service Agency or
to reach Technical Support.

Models PRS-2 and PRP-2 (208/220-240V, 1 Phase) Wiring Diagram

⚠ WARNING

ELECTRICAL SHOCK

- Turn off all electrical supply to the collector before attempting any work on it. Use a voltmeter or circuit tester to ensure that power is off.
- Installation must conform to local electrical codes.
- All control centers and collector components must be carefully and permanently grounded.
- A properly fused disconnect must be installed at the electrical supply source for the control center.

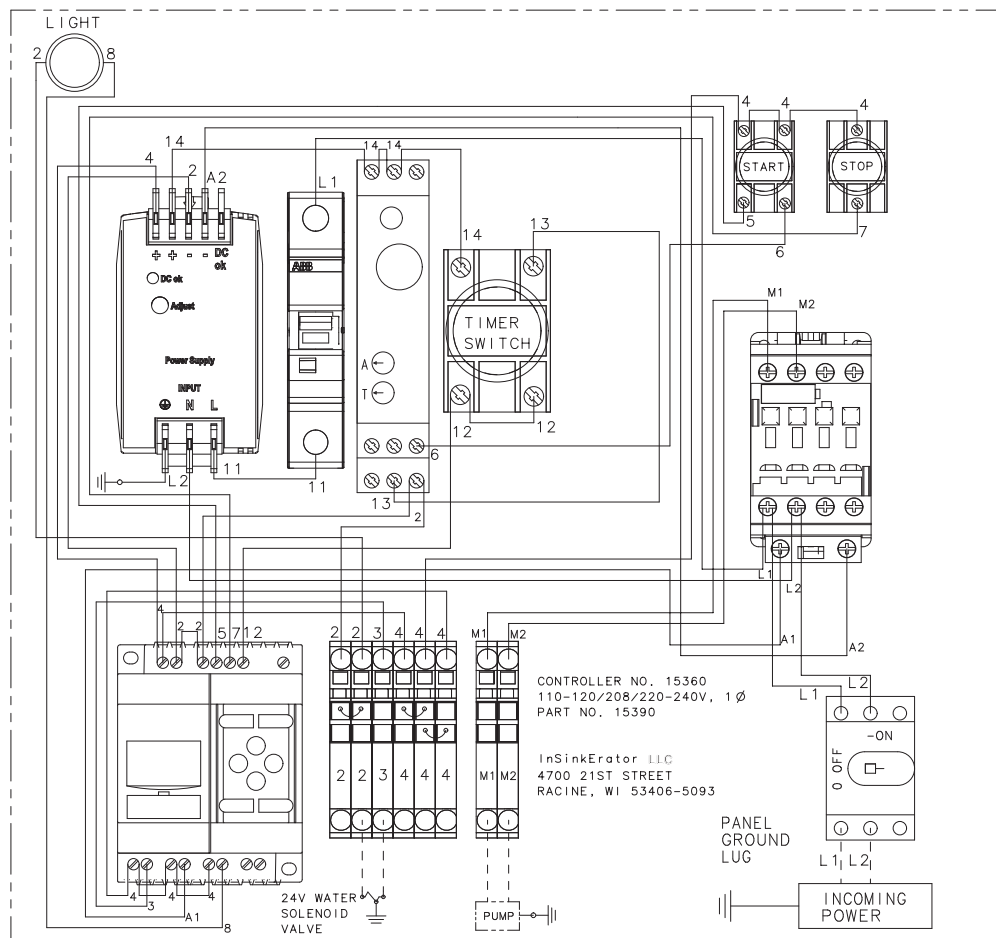
NOTICE

PROPERTY DAMAGE

- Ensure that the control center voltage and phase match the pump and electrical supply. Reference the nameplates for voltage and phase.
- The pump motor wiring diagram is shown on the casing of the pump.

Note: Black wires = Line voltage (208/220 - 240 V).

**208/220-240V
1 Phase**



Call Toll Free 1-800-845-8345
 for the nearest InSinkEerator
 Authorized Service Agency or
 to reach Technical Support.

Models PRS-3 and PRP-3 (208/220-240V, 3 Phase) Wiring Diagram

⚠ WARNING

ELECTRICAL SHOCK

- Turn off all electrical supply to the collector before attempting any work on it. Use a voltmeter or circuit tester to ensure that power is off.
- Installation must conform to local electrical codes.
- All control centers and collector components must be carefully and permanently grounded.
- A properly fused disconnect must be installed at the electrical supply source for the control center.

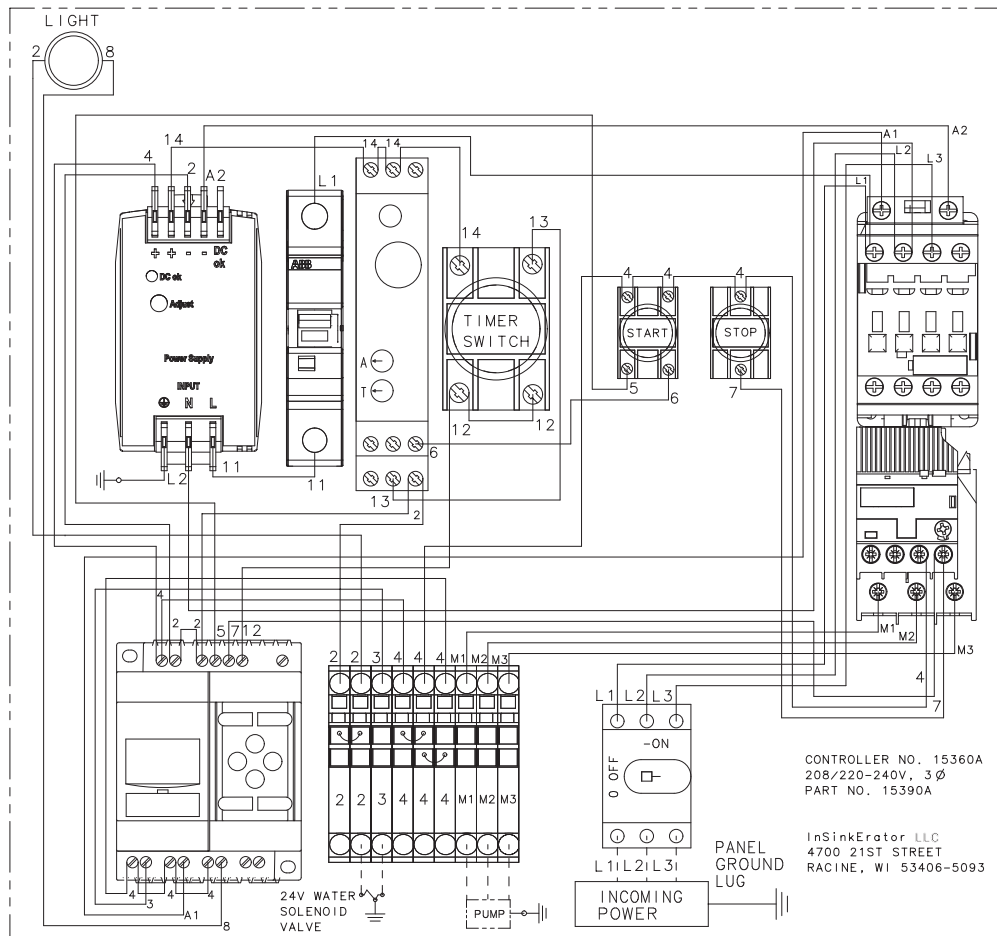
NOTICE

PROPERTY DAMAGE

- Ensure that the control center voltage and phase match the pump and electrical supply. Reference the nameplates for voltage and phase.
- The pump motor wiring diagram is shown on the casing of the pump.

Note: Black wires = Line voltage (208/220 - 240 V).

**208/220-240V
3 Phase**



Call Toll Free 1-800-845-8345
for the nearest InSinkErator
Authorized Service Agency or
to reach Technical Support.

Overload Settings

Model	Current	Reset
PRS-3/PRP-3	2.0	Automatic

Models PRS-4 and PRP-4 (460-480V, 3 Phase) Wiring Diagram

⚠ WARNING

ELECTRICAL SHOCK

- Turn off all electrical supply to the collector before attempting any work on it. Use a voltmeter or circuit tester to ensure that power is off.
- Installation must conform to local electrical codes.
- All control centers and collector components must be carefully and permanently grounded.
- A properly fused disconnect must be installed at the electrical supply source for the control center.

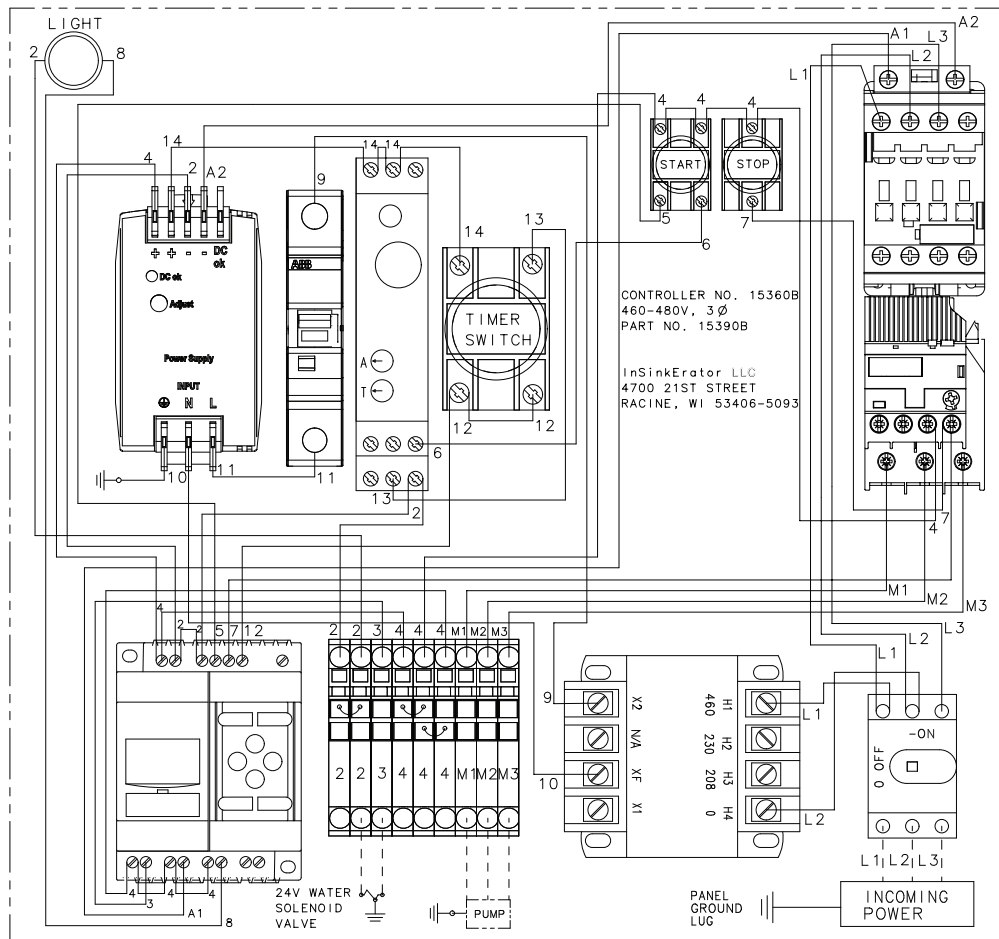
NOTICE

PROPERTY DAMAGE

- Ensure that the control center voltage and phase match the pump and electrical supply. Reference the nameplates for voltage and phase.
- The pump motor wiring diagram is shown on the casing of the pump.

Note: • Black wires = Line voltage (460 - 480 V).

**460-480V
3 Phase**



Call Toll Free 1-800-845-8345
for the nearest InSinkEerator
Authorized Service Agency or
to reach Technical Support.

Overload Settings

Model	Current	Reset
PRS-4/PRP-4	1.0	Automatic



Limited Warranty

InSinkErator® (“InSinkErator” or “Manufacturer” or “we” or “our” or “us”) warrants to the original purchaser only (“Customer” or “you” or “your”), subject to the exclusions below, that your InSinkErator® (the “InSinkErator Product”) will be free from defects in material and workmanship for one year from the original date of purchase (the “Warranty Period”). This limited warranty terminates if the original purchaser transfers the InSinkErator Product to any other person or entity.

What is Covered

This limited warranty includes repair or replacement of your InSinkErator Product, accessories if included in the original InSinkErator Product package, and all replacement parts and labor costs if provided by an authorized InSinkErator service representative.

What is not Covered

This limited warranty does not extend to and expressly excludes:

- Losses or damages or the inability to operate your InSinkErator Product resulting from conditions beyond the Manufacturer’s control including, without limitation, accident, alteration, misuse, abuse, neglect, or negligence (other than Manufacturer’s).
- Wear and tear expected to occur during the normal course of use, including without limitation, cosmetic rust, scratches, dents or comparable and reasonably expected losses or damages.
- Failure to install, maintain, assemble, or mount the InSinkErator Product in accordance with Manufacturer’s instructions or local electrical and plumbing codes, faulty or improper electrical installation, faulty or improper plumbing installation, clogged drain lines, or an improperly sized unit (as specified by InSinkErator).

What we will do to Correct Problems

To file a warranty claim during the Warranty Period, you may call Toll Free 1-800-845-8345 for the nearest InSinkErator Authorized Service Agency or to reach Technical Support, or you may visit our website at www.insinkerator.com.

The following information must be provided as part of your warranty claim: your name, address, phone number, your InSinkErator Product model and serial number. You will be required to submit supporting documentation of the date of purchase.

Manufacturer or its authorized service representative will determine, in its sole and absolute discretion, if your InSinkErator Product is covered under this limited warranty. Only an authorized InSinkErator service representative may provide warranty service. InSinkErator is not responsible for warranty claims arising from work performed on your InSinkErator Product by anyone other than an authorized InSinkErator service representative.

If a covered claim is made during the Warranty Period, Manufacturer will, through its authorized service representative, and at Manufacturer’s or its authorized service representative’s sole discretion, either repair or replace your InSinkErator Product. If your InSinkErator Product is replaced, the warranty on the replacement InSinkErator Product will be limited to the unexpired term remaining in the original Warranty Period. **YOUR SOLE AND EXCLUSIVE REMEDY UNDER THIS LIMITED WARRANTY SHALL BE LIMITED TO REPAIR OR REPLACEMENT OF THE INSINKERATOR PRODUCT.** This limited warranty is valid only in the United States and applies only when the InSinkErator Product is used in the country in which it was purchased. If outside the 50 United States, contact your authorized InSinkErator dealer to determine whether any warranty applies.

No Other Express Warranty Applies

THE LIMITED WARRANTIES PROVIDED ABOVE ARE THE SOLE AND EXCLUSIVE WARRANTIES PROVIDED BY MANUFACTURER TO THE ORIGINAL PURCHASER, AND ARE IN LIEU OF ALL OTHER WARRANTIES, WRITTEN OR ORAL, EXPRESS OR IMPLIED, WHETHER ARISING BY OPERATION OF LAW OR OTHERWISE, INCLUDING, WITHOUT LIMITATION, WARRANTIES OF MERCHANTABILITY OR FITNESS FOR A PARTICULAR PURPOSE, WHETHER OR NOT THE PURPOSE HAS BEEN DISCLOSED AND WHETHER OR NOT THE INSINKERATOR PRODUCT HAS BEEN SPECIFICALLY DESIGNED OR MANUFACTURED FOR YOUR USE OR PURPOSE.

Limitation of Liability

TO THE EXTENT PERMITTED BY LAW, IN NO EVENT SHALL MANUFACTURER OR ITS AUTHORIZED SERVICE REPRESENTATIVES BE LIABLE FOR ANY INCIDENTAL, SPECIAL, INDIRECT, OR CONSEQUENTIAL DAMAGES, INCLUDING ANY ECONOMIC LOSS, WHETHER RESULTING FROM NONPERFORMANCE, USE, MISUSE OR INABILITY TO USE THE INSINKERATOR PRODUCT OR THE MANUFACTURER’S OR ITS AUTHORIZED SERVICE REPRESENTATIVE’S NEGLIGENCE. MANUFACTURER SHALL NOT BE LIABLE FOR DAMAGES CAUSED BY DELAY IN PERFORMANCE AND IN NO EVENT, REGARDLESS OF THE FORM OF THE CLAIM OR CAUSE OF ACTION (WHETHER BASED IN CONTRACT, INFRINGEMENT, NEGLIGENCE, STRICT LIABILITY, OTHER TORT OR OTHERWISE), SHALL MANUFACTURER’S LIABILITY TO YOU EXCEED THE PRICE PAID BY THE ORIGINAL OWNER FOR THE INSINKERATOR PRODUCT.

The term "consequential damages" shall include, but not be limited to, loss of anticipated profits, business interruption, loss of use or revenue, cost of capital or loss or damage to property or equipment.

Some states do not allow the exclusion or limitation of incidental or consequential damages, so the above limitation may not apply to you. This warranty gives you specific legal rights and you may also have other rights which vary from state to state.